

Non-Contact Human Thermometer

[Brief]

This is a non-contact human thermometer built for human thermal fast detection. The main idea is to help detect people with fever concerns in public. If the temperature exceeds 37.3°C , the screen will be displayed in red font and send immediate warning sound. All temperature parameters are designed for rapid scanning of human temperature. Thus, they cannot be used for other purposes.

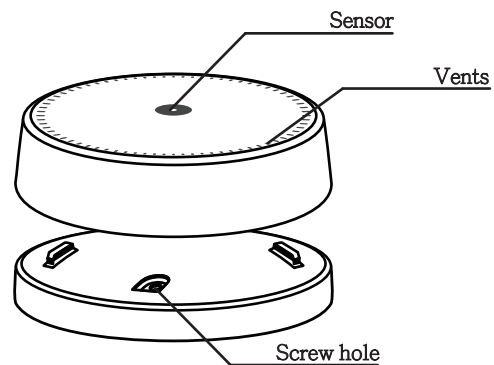
[User Instruction]

1. While installing the product, please ensure that the head position of the passer is within the 110-degree angle of view of the lens and within 10-80cm from the lens.
2. Since the temperature marked on this product is the highest temperature range, please avoid placing other high-temperature items in this range.
3. Depending on the surroundings, this product provides a calibration function. Please enter the temperature of the calibration person using other thermometers as shown on the screen, and make sure the forehead is 10cm to 80cm from the lens of this product, then press the confirmation key in order to perform the calibration.
4. In order to hear the high temperature warning sound, please turn on the speakers of the surveillance equipment (general computer, laptop, tablet, mobile phone).
5. This product can be used in a cool, dry place outdoors, but it is not recommended to be directly exposed to the sun outdoors.
6. The warranty period of this product is one year.

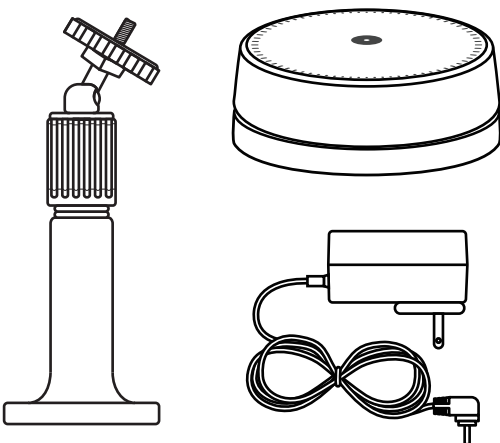
[Specification]

Measurement perspective: 110 degree
Measurement range: 10 ~ 80 cm
Resolution: 512x384
Measurement temperature range: $20\sim 38.5^{\circ}\text{C}$
Data update frequency: 4 times/s
Temperature error: $\pm 0.7^{\circ}\text{C}$
Supply voltage: 5~12V
Protocol: 2.4G WiFi
SD card storage format: txt

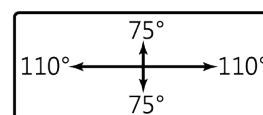
[Product Appearance]



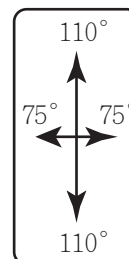
[Package Includes: tripod, camera , power cord]



[Installation Suggestion]



1. It is available to adjust the detection area via adjusting the sticker position.
2. The picture above is wider of the detection range (left and right angle: 110° , Up and down angle: 75°)



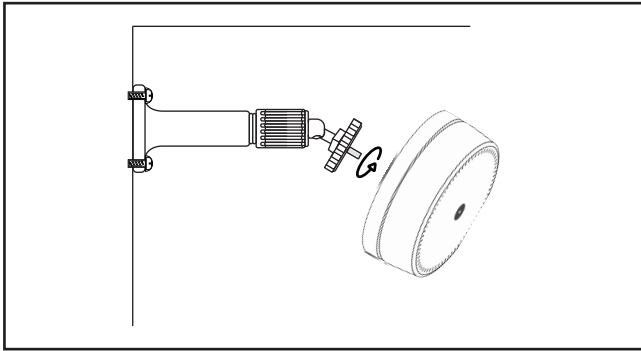
1. If you change the sticker position this way (left picture), it'll be more narrow of the detection area (left and right angle: 75° , Up and down angle: 110°)

[Other Information]

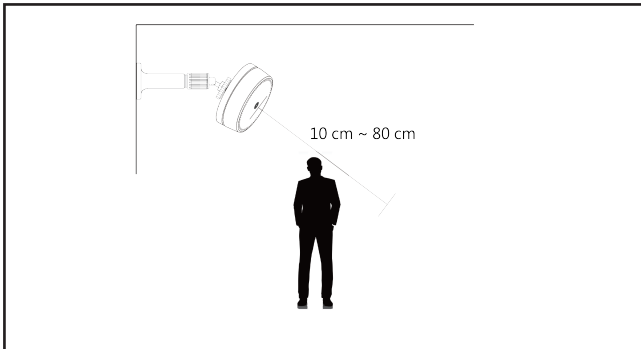
1. Please wipe regularly with a clean soft cloth to avoid dust and water covered on the lens or it may affect to the detect result. Also, not to use tissue or towel paper to clean the lens.
2. Do not subject the machine to get hit, drop or vibration.
3. This machine is not waterproof, please don't place the machine in a humid place.
4. While installing the machine, you may adjust the angle with or without the tripod. It is available to install the camera directly on the wall without tripod.

[Installation]

1. Install tripod and power cord.



2. Place the camera within 10-80cm from the lens.



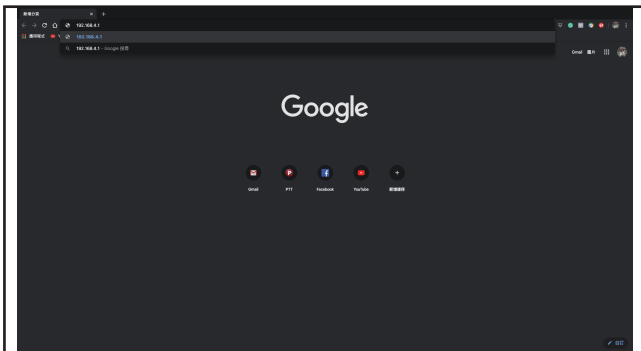
3. Connection method 1:

Open WiFi of the surveillance device.

Connect to Human Thermometer, and enter password: antivirus



- After connected to the machine, open the browser,
- Enter 192.168.4.1 and it is available to enter the control page.



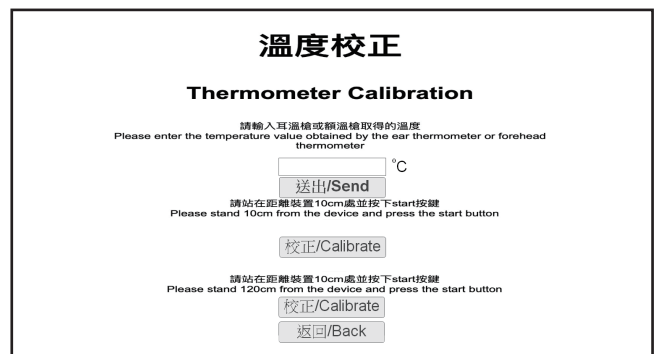
4. Connection method 2: connect thermometer with phone directly via the WiFi nearby, and the phone can be well-connected with the thermometer. After all, it can be used intranet.

[User Instruction]

1. Enter the initial screen, and click the Calibration button.



2. Enter the Calibration screen, and enter the temperature and confirm calibration position in sequence.



3. Back to the initial screen, and press start.



4. Start measurement.

